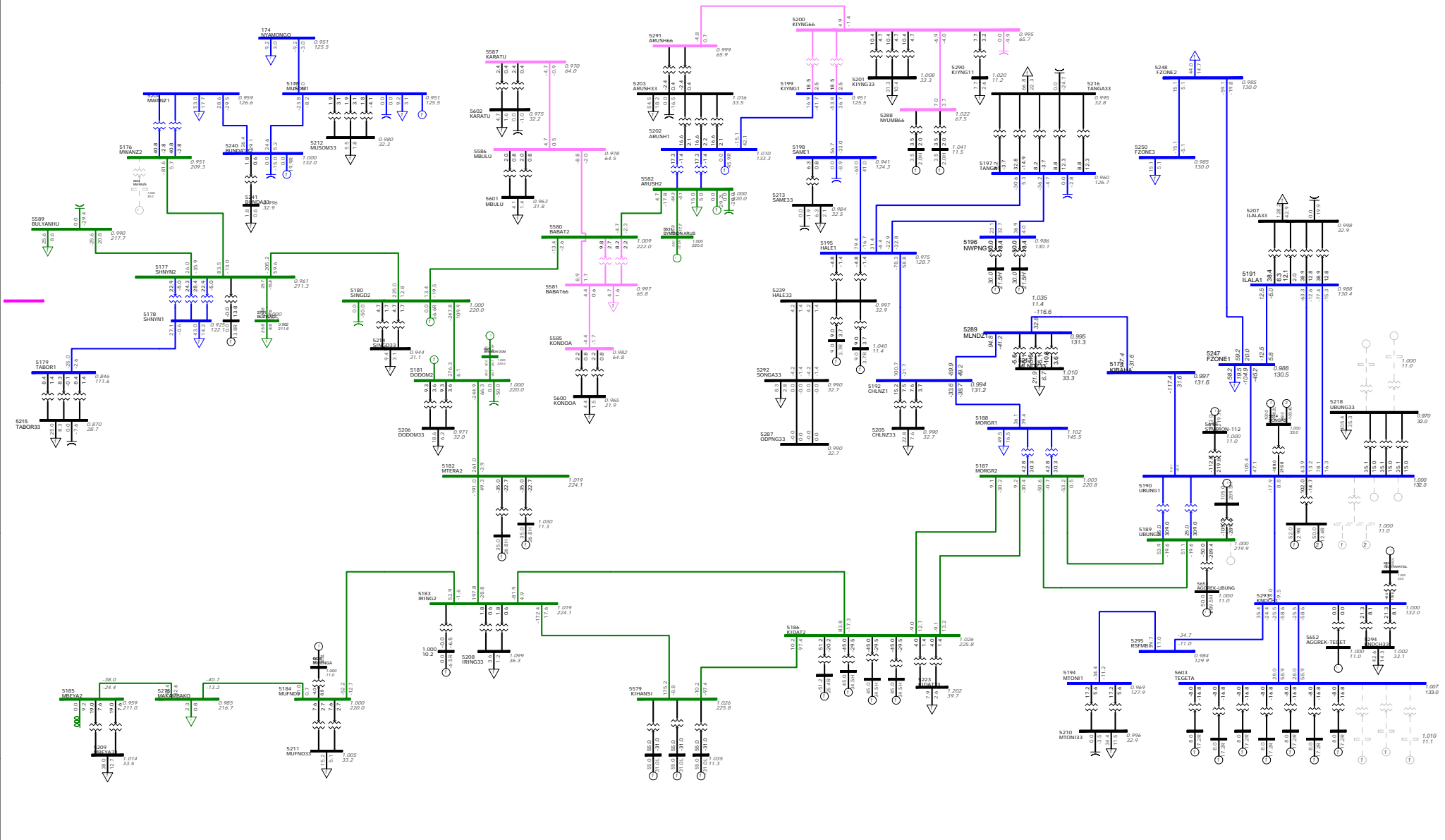


Load flow for the Tanzanian interconnected power system - Year 2010 during peak load conditions



Project: Tanzania Master Plan

2010- PEAK LOAD - BASE CASE, TANZANIA
2011 LOAD FORECAST BASE CASE
MON, JUN 28 2006 0:14

Rev: 001
Date: 28/06/2006
Author: [unreadable]
Checked: [unreadable]
Approved: [unreadable]

Diagram created using
E:\PSMP 2013\PSSE Working File\2010 Working file\2010-2012.sav
E:\PSMP 2013\PSSE Working File\2010 Working file\2010-2012.sld

by: Lebli M. Changuhah & Fokas Darriel
TANESCO TANESCO

Date: May 2013

Notes:

- 1-
- 2-